

# Grade 8 Lifting Points

Email: [enquiries@cwssales.uk](mailto:enquiries@cwssales.uk)

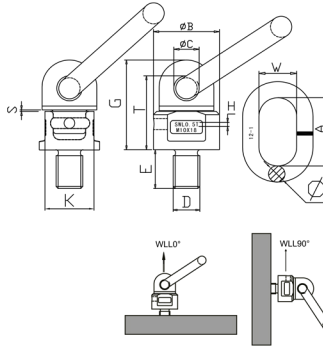
Duke Grade 8

## XN303

Swivel Lifting Eye Bolt with Ring

- Safety Factor 4:1

**NOTE:** We have Extra Long Thread Lengths in Stock.



Part Code	Size (mm)	Weight (kg)	WLL (T) 90°	WLL (T) 0°	DxE	B	C	G	T	A	W	Ø	S	K	H
XN303-M08	M8X13	0.41	0.3	0.6	M8X13	36	16.5	51	41	55	30	14	0.5-1	30	3
XN303-M10	M10X18	0.43	0.5	1	M10X18	36	16.5	51	41	55	30	14	0.5-1	30	3
XN303-M12	M12X18	0.44	0.5	1	M12X18	36	16.5	51	41	55	30	14	0.5-1	30	3
XN303-M16	M16X20	0.5	1.12	2	M16X20	36	16.5	52	42	55	30	14	0.5-1	30	3
XN303-M20	M20X30	0.96	2	4	M20X30	49.5	19	68	56	70	35	16	0.5-1	41	3.5
XN303-M24	M24X30	1.47	3.15	6.3	M24X40	57	22	78	65.5	85	40	18	0.5-1.5	46	3.5
XN303-M27	M27X35	1.47	3.15	6.3	M27X35	57	22	78	65.5	85	40	20	0.5-1.5	46	3.5
XN303-M30	M30X30	2.17	5.3	10.6	M30X35	66	23.5	96.5	80.5	85	40	20	0.6-2	64	6
XN303-M36	M36X50	3.6	8	12.8	M36X50	80	27	109	89.5	115	50	22	0.6-2	64	6
XN303-M39	M39X50	3.65	8	12.8	M39X50	80	27	109	89.5	115	50	22	0.6-2	65	6
XN303-M42	M42X50	3.95	10	16	M42X50	80	27	109	89.5	115	50	25	1-2.5	65	6
XN303-M48	M48x50	4.02	10	16	M48x50	80	27	109	89.5	115	50	25	1-2.5	65	6
XN303-M56	M56x84	11.8	15	24	M56x84	117	42	246	214	152	70	32	1-2.5	95	7
XN303-M64	M64x95	12.5	15	24	M64x95	117	42	257	225	152	70	32	1-2.5	95	7

Size	1 Point (T) 0°	1 Point (T) 90°	2 Points (T) 0°	2 Points (T) 90°	2 Points (T) 0-45°	2 Points (T) 45-60°	3/4 Points (T) 0-45°	3/4 Points (T) 45-60°	3/4 Points Unsym (T)
M8	0.6	0.3	1.2	0.6	0.42	0.3	0.63	0.45	0.3
M10	1.0	0.5	2	1	0.7	0.5	1.05	0.75	0.5
M12	1.0	0.5	2	1	0.7	0.5	1.05	0.75	0.5
M16	2.0	1.12	4	2.24	1.57	1.12	2.35	1.68	1.12
M20	4	2	8	4	2.80	2	4.2	3	2
M24	6.3	3.15	12.6	6.3	4.41	3.15	6.62	4.73	3.15
M27	6.3	3.15	12.6	6.3	4.41	3.15	6.62	4.73	3.15
M30	10.6	5.3	21.2	10.6	7.42	5.3	11.13	7.95	5.3
M36	12.8	8	25.6	16	11.2	8	16.8	12	8
M39	12.8	8	25.6	16	11.2	8	16.8	12	8
M42	16	10	32	20	14	10	21	15	10
M48	16	10	32	20	14	10	21	15	10
M56	24	15	48	30	21	15	31.5	22.5	15
M64	24	15	48	30	21	15	31.5	22.5	15

- Fatigue Rated x 1.5 WLL for 20,000 cycles
- 100% Magnaflux Crack Detected
- Proof Tested - 2.5 times Working Load Limit
- Super Alloy Steel